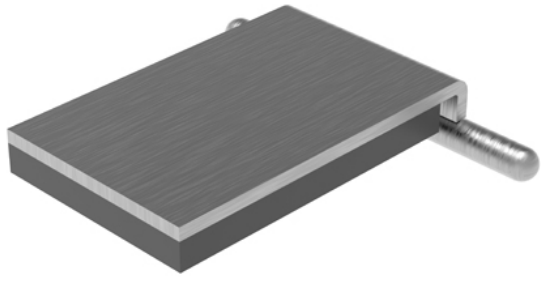
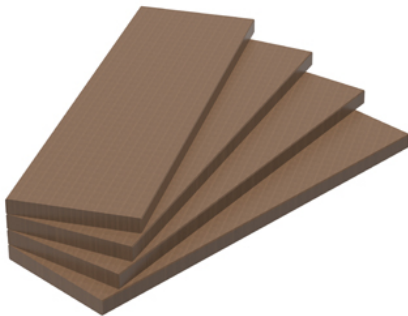
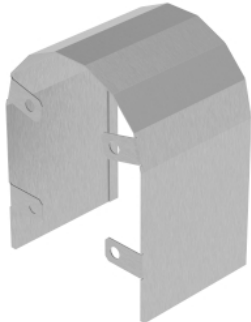

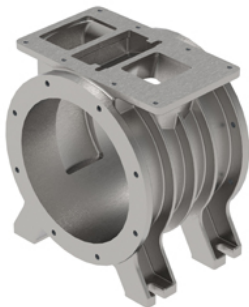
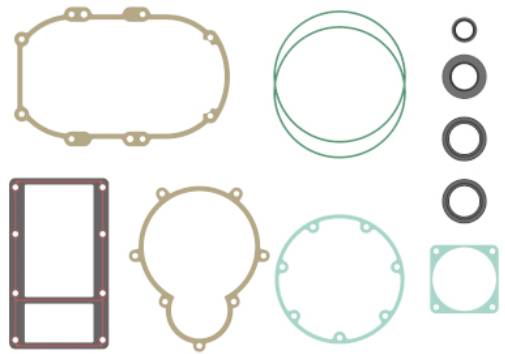
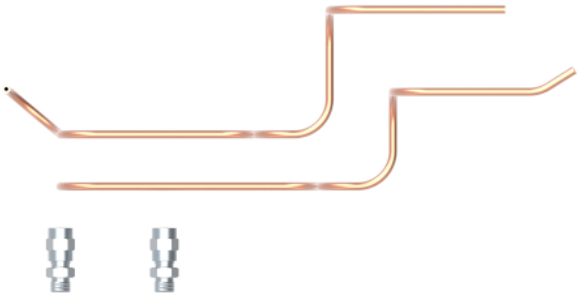
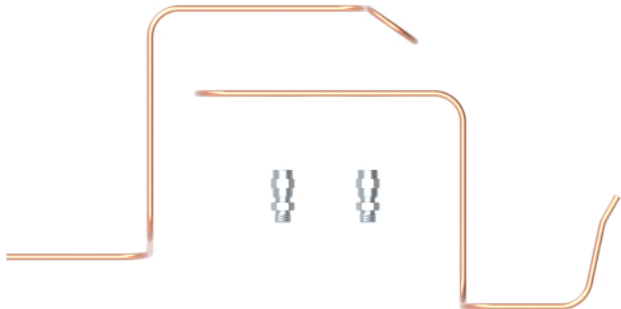
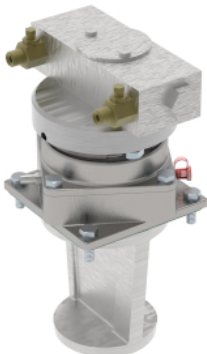




| Code | Description | Quantity | Technical Sheet | Preview |
|------------|----------------------------------|----------|-----------------|---|
| 1407200500 | OIL PUMP (CW) | 1 | |  |
| 1407202100 | OIL PUMP (CCW) | 1 | |  |
| 1521500200 | ROTOR | 1 | |  |
| 1593600000 | NON-RETURN VALVE (FLAPPER VALVE) | 1 | |  |

| | | | | |
|------------|------------------------|---|--|---|
| 1601600400 | VANE (BAKELITE) | 4 | |  |
| 1642003000 | DRIVE SHAFT PROTECTION | 1 | |  |
| 1683600300 | OIL STICK | 1 | |  |
| 1687500200 | PUMP HOUSING | 1 | |  |
| 4023100020 | BEARING 6207 | 1 | | |

| | | | | |
|------------|-------------------|---|--|---|
| | | | |  |
| 4023100030 | BEARING 6208 | 1 | |  |
| 4023100040 | BEARING 6308 | 2 | |  |
| 4026300020 | COMPENSATION RING | 2 | |  |

| | | | | |
|------------|--|---|--|---|
| 1892000000 | GASKETS KIT | 1 | |  |
| 18820490E0 | LUBRICATION PIPELINE AND FITTINGS (CCW ROTATION) | 1 | |  |
| 18820491E0 | LUBRICATION PIPELINE AND FITTINGS (CW ROTATION) | 1 | |  |
| 14302034E0 | HYDRAULIC OPERATED 4-WAY VALVE KIT | 1 | |  |
| 143027YZB0 | PNEUMATIC OPERATED 4-WAY VALVE KIT | 1 | | |

| | | | | |
|-------------|--|---|--|---|
| | | | |  |
| 1852104800 | ADJUSTABLE CONVEYOR Ø76 | 1 | |  |
| 185211024E0 | ADJUSTABLE CONVEYOR Ø80 | 1 | |  |
| 18521056E0 | FIXED CONVEYOR Ø60 (WITH VALVE- SEAT) | 1 | |  |
| 18521057E0 | FIXED CONVEYOR Ø76 (WITH VALVE- | 1 | | |

| | | | | | |
|------------|--|---|--|---|---|
| | SEAT) | | | : |  |
| 1852104700 | FIXED CONVEYOR Ø80 (WITH VALVE- SEAT) | 1 | | : |  |
| 1627100700 | SUCTION MANIFOLD Ø60 - MIXER | 1 | | |  |
| 1627100900 | SUCTION MANIFOLD Ø80 - MIXER | 1 | | |  |
| | SUCTION FILTER | | | | |

| | | | | |
|------------|-------------------------------------|---|---|---|
| 185219N7B0 | KIT | 1 |  |  |
| 1852111800 | NPT 2"1/2 FLANGE | 1 | |  |
| 4024450008 | TWO BOWLS OVERFLOW VALVE DN80 | 1 | |  |
| 4027420002 | SIPHON VALVE DN80 | 1 | |  |
| 1547004300 | SILENCER | 1 |  | |

| | | | | |
|------------|---------------------------|---|--|--|
| | | | |  |
| 4027400202 | PRESSURE RELIEF VALVE 2" | 1 | |  |
| 4027400600 | VACUUM RELIEF VALVE 1"1/2 | 1 | |  |

© 2017 Jurop SpA - [Cookie Policy](#) | [Privacy policy](#)

P. Iva 00334130937 - CCIAA-PN 00334130937 - R.E.A. nr. 33384 - CS i.v. 516.000,00 Euro